

# CNB 系列 / CNB SERIES



## PRODUCT INFORMATION/产品信息

Pump Design/产品名称: Solenoid (Piston) Pump/电磁水泵  
 Insulation/绝缘等级: Class H  
 Net Weight/产品净重: 0.450Kg  
 Outlet Connector/出水接口: G1/8Thread/G1/8螺纹

## LABORATORY TEST CONDITION/工作条件

- Ta within 80°C, Tf within 72°C/Ta: 80°C以下, Tf:72°C以下
- ED100%:work continuously/ED100%:持续工作
- Ta:Ambient temperature/Ta:环境温度
- Tf:Temperature of fluid water/Tf:流体温度

## APPLICATIONS/应用领域

Floor Cleaner, Carpet Cleaner, Agricultural Precision Irrigation  
 地板/地毯清洁机、农业精密滴灌类

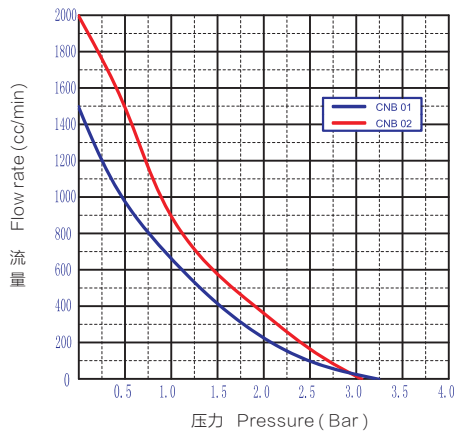
Self-priming at 0 BAR(Psi), except SV type Suitable to dry-use only during priming

仅无背压下自吸, SV系列除外, 仅允许在上水启动时短时干抽

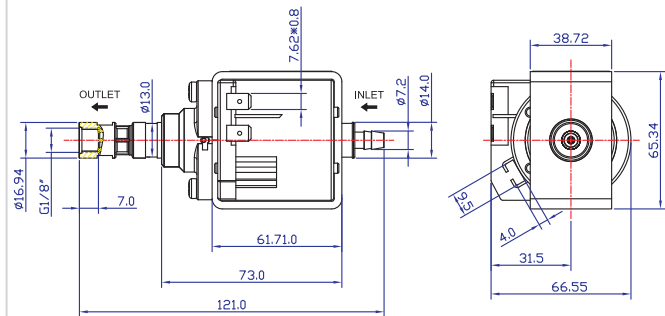
型号/Model	CNB 01	CNB 02
流量/Flowrate(cc/min)	1500	2000
最大压力/Max Pressure(bar)	3.5	
功率/Power(W)	40	
噪音/Noise(dB)	60	
工作方式/Duty Cycle	Continuously/持续工作	
电压规格/Voltage	220~240V/50Hz, 120V/60Hz, 220V/60Hz	
产品认证/Product Certificate	FDA / TUV / UL&cUL	

## Performance Curve/性能曲线

Note : - All the performance are intended with a Tolerance  $\pm 15\%$ , only for reference/注意: -所有参数公差为  $\pm 15\%$ , 仅供参考  
 - Water 20°C, Ambient 25°C/- 水温20°C, 室温25°C



## Mechanical Drawing & Dimension/外型尺寸



Dimensions/单位: millimeters/毫米

# CNB 1 系列 / CNB 1 SERIES



## PRODUCT INFORMATION/产品信息

Pump Design/产品名称: Solenoid (Piston) Pump/电磁水泵  
 Insulation/绝缘等级: Class H  
 Net Weight/产品净重: 0.450Kg  
 Outlet Connector/出水接口: G1/8Thread/G1/8螺纹

## LABORATORY TEST CONDITION/工作条件

- Ta within 60°C, Tf within 35°C/Ta: 60°C以下, Tf:35°C以下
- 2min on/1min off/2分钟开/1分钟关
- Ta: Ambient temperature/Ta:环境温度
- Tf: Temperature of fluid water/Tf:流体温度

## APPLICATIONS/应用领域

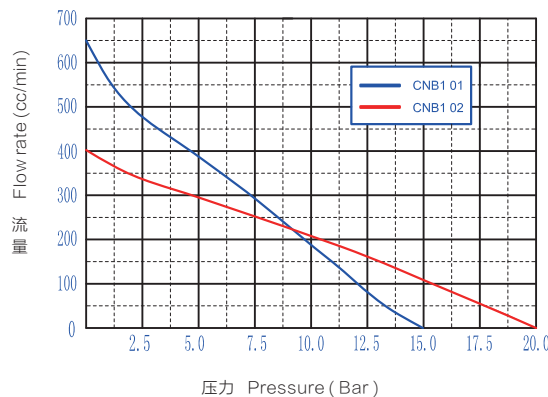
Espresso Machine、Capsule Coffee machine、Turkey Coffee Maker、Floor Cleaner、Carpet Cleaner、After-treatment of Diesel Engine (DPF, SCR)、Smoke Machine、Medical Sterilizing Equipment  
 压力式咖啡机、胶囊咖啡机、土耳其咖啡机、地板/地毯清洁机、柴油机后排放处理 (DPF, SCR)、舞台烟雾设备、医用消毒设备

Self-priming at 0 BAR (PSI), except SV type Suitable to dry-use only during priming  
 仅无背压下自吸, SV系列除外, 仅允许在上水启动时短时干抽

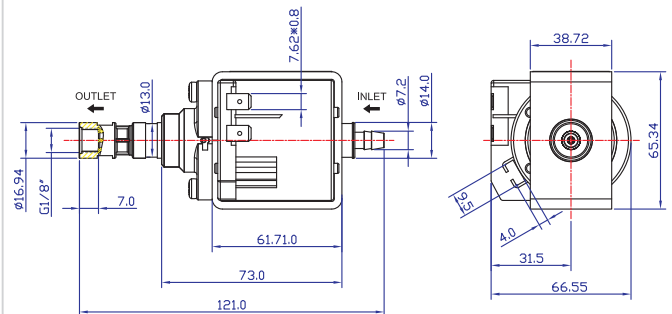
型号/Model	CNB 1 01	CNB 1 02
流量/Flowrate(cc/min)	650	400
最大压力/Max Pressure(bar)	15	20
功率/Power(W)	48	48
噪音/Noise(dB)	60	60
工作方式/Duty Cycle	2min on/1min off/2分钟开/1分钟关	
电压规格/Voltage	220~240V/50Hz, 120V/60Hz, 220V/60Hz	
产品认证/Product Certificate	FDA / TUV / UL&cUL	

## Performance Curve/性能曲线

Note: - All the performance are intended with a Tolerance  $\pm 15\%$ , only for reference/注意: -所有参数公差为  $\pm 15\%$ , 仅供参考  
 - Water 20°C, Ambient 25 °C/- 水温20°C, 室温25 °C



## Mechanical Drawing & Dimension/外型尺寸



Dimensions/单位: millimeters/毫米

# CNB 1 系列 / CNB 1 SERIES



## PRODUCT INFORMATION/产品信息

Pump Design/产品名称: Solenoid (Piston) Pump/电磁水泵  
 Insulation/绝缘等级: Class H  
 Net Weight/产品净重: 0.450Kg  
 Outlet Connector/出水接口: G1/8Thread/G1/8螺纹

## LABORATORY TEST CONDITION/工作条件

- Ta within 60°C, Tf within 35°C/Ta: 60°C 以下, Tf: 35°C 以下
- 2min on/1min off/2分钟开/1分钟关
- Ta: Ambient temperature/Ta: 环境温度
- Tf: Temperature of fluid water/Tf: 流体温度

## APPLICATIONS/应用领域

Espresso Machine、Capsule Coffee machine、Turkey Coffee Maker、Floor Cleaner、Carpet Cleaner、After-treatment of Diesel Engine (DPF, SCR)、Smoke Machine、Medical Sterilizing Equipment

压力式咖啡机、胶囊咖啡机、土耳其咖啡机、地板/地毯清洁机、柴油机后排放处理 (DPF, SCR)、舞台烟雾设备、医用消毒设备

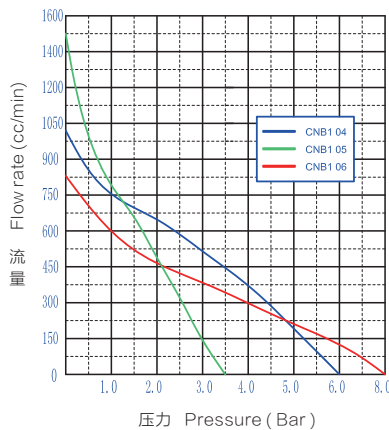
Self-priming at 0 BAR(Psi), except SV type Suitable to dry-use only during priming

仅无背压下自吸, SV系列除外, 仅允许在上水启动时短时干抽

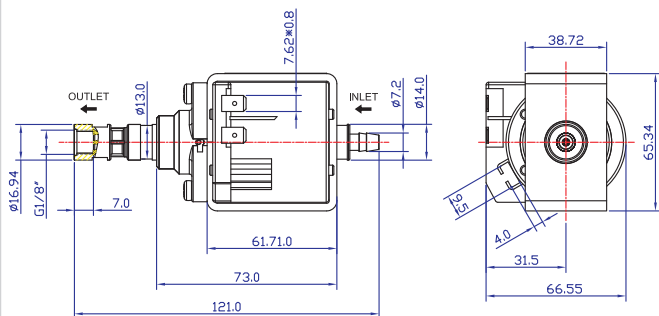
型号/Model	CNB 1 04	CNB 1 05	CNB 1 06
流量/Flowrate(cc/min)	1000	1500	800
最大压力/Max Pressure(bar)	6.0	3.5	8.0
功率/Power(W)	48	48	48
噪音/Noise(dB)	65	65	65
工作方式/Duty Cycle	2min on/1min off/2分钟开/1分钟关		
电压规格/Voltage	220~240V/50Hz, 120V/60Hz, 220V/60Hz		
产品认证/Product Certificate	FDA / TUV / UL&cUL		

## Performance Curve/性能曲线

Note: - All the performance are intended with a Tolerance  $\pm 15\%$ , only for reference/注意: -所有参数公差为  $\pm 15\%$ , 仅供参考  
 - Water 20°C, Ambient 25°C/- 水温20°C, 室温25°C



## Mechanical Drawing & Dimension/外型尺寸



Dimensions/单位: millimeters/毫米