

CNS 2 系列 / CNS 2 SERIES



PRODUCT INFORMATION/产品信息

Pump Design/产品名称: Solenoid (Piston) Pump/电磁水泵
 Insulation/绝缘等级: Class H
 Net Weight/产品净重: 0.070Kg
 Outlet Connector/出水接口: Barb port/倒扣

LABORATORY TEST CONDITION/工作条件

- Ta within 60°C, Tf within 35°C/Ta: 60°C以下, Tf:35°C以下
- ED100%:work continuously/ED100%:持续工作
- Ta:Ambient temperature/Ta:环境温度
- Tf:Temperature of fluid water/Tf:流体温度

APPLICATIONS/应用领域

Steam Iron、Steam Mop、Steam Cleaner、Garment Steamer
 蒸气烫斗、蒸气地拖、蒸气清洗机、蒸汽挂烫机、蒸汽刷

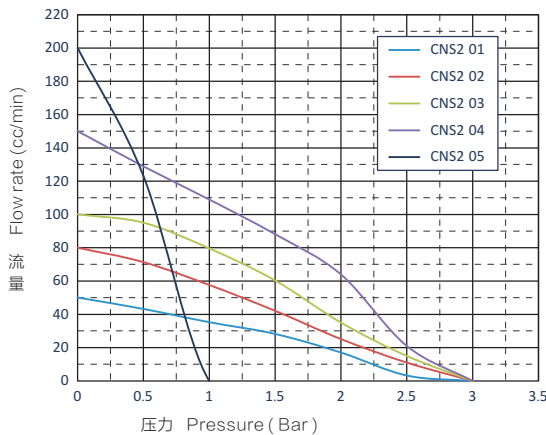
Self-priming at 0 BAR(PSI),except SV type Suitable to dry-use only during priming

仅无背压下自吸, SV系列除外,仅允许在上水启动时短时干抽

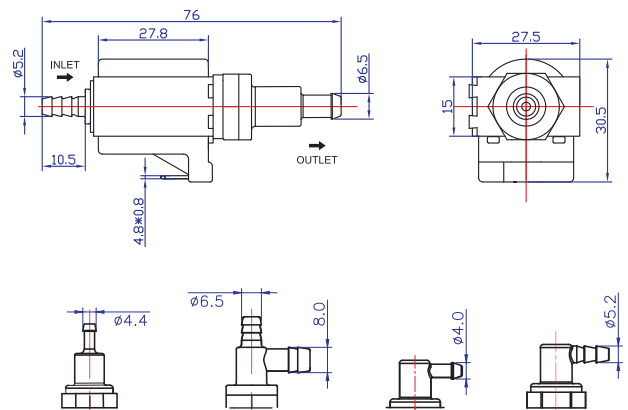
型号/Model	CNS2 01	CNS2 02	CNS2 03	CNS2 04	CNS2 05
流量/Flowrate(cc/min)	50	80	100	150	200
最大压力/Max Pressure(bar)	3.0	3.0	3.0	3.0	1.0
功率/Power(W)	9	9	9	9	9
噪音/Noise(dB)	45	45	45	50	50
工作方式/Duty Cycle	Continuously / 持续工作				
电压规格/Voltage	220~240V/50Hz, 120V/60Hz, 220V/60Hz, 100V/50~60Hz, 12~24V/50~60Hz				
产品认证/Product Certificate	FDA / TUV/UL&cUL				

Performance Curve/性能曲线

Note: - All the performance are intended with a Tolerance $\pm 15\%$, only for reference/注意: -所有参数公差为 $\pm 15\%$, 仅供参考
 - Water 20°C, Ambient 25°C/- 水温20°C, 室温25°C



Mechanical Drawing & Dimension/外型尺寸



可选的出口类型 (Optional outlet type)

Dimensions/单位: millimeters/毫米

CNS 6 系列 / CNS 6 SERIES



PRODUCT INFORMATION/产品信息

Pump Design/产品名称: Solenoid (Piston) Pump/电磁水泵
 Insulation/绝缘等级: Class H
 Net Weight/产品净重: 0.011Kg
 Outlet Connector/出水接口: Barb port/Thread/倒扣螺纹
 Recognition/产品认证: TUV/UL&cUL

LABORATORY TEST CONDITION/工作条件

- Ta within 60°C, Tf within 35°C / Ta: 60°C 以下, Tf: 35°C 以下
- ED100%: work continuously / ED100%: 持续工作
- Ta: Ambient temperature / Ta: 环境温度
- Tf: Temperature of fluid water / Tf: 流体温度

APPLICATIONS/应用领域

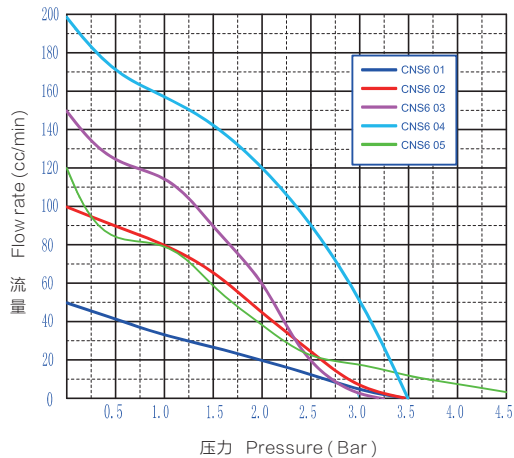
Steam Iron、Steam Mop、Steam Cleaner、Steam Station
 蒸气熨斗、蒸气地拖、蒸气清洁机、蒸汽站/台体式蒸气熨斗

Self-priming at 0 BAR (PSI), except SV type Suitable to dry-use only during priming
 仅无背压下自吸, SV系列除外, 仅允许在上水启动时短时干抽

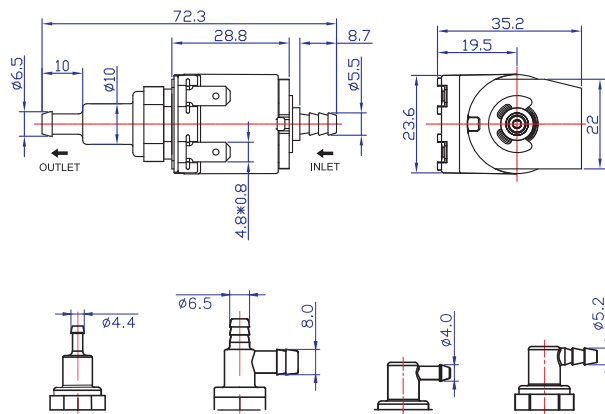
型号/Model	CNS6 01	CNS6 02	CNS6 03	CNS6 04	CNS6 05
流量/Flowrate(cc/min)	50	100	150	200	120
最大压力/Max Pressure(bar)	3.5	3.5	3.5	3.5	5.0
功率/Power(W)	15	15	15	15	15
噪音/Noise(dB)	50	50	50	50	50
工作方式/Duty Cycle	Continuously / 持续工作				
电压规格/Voltage	220~240V/50Hz, 120V/60Hz, 220V/60Hz, 100V/50~60Hz, 12~24V/50~60Hz				
产品认证/Product Certificate	FDA / TUV / UL&cUL				

Performance Curve/性能曲线

Note: - All the performance are intended with a Tolerance $\pm 15\%$, only for reference / 注意: -所有参数公差为 $\pm 15\%$, 仅供参考



Mechanical Drawing & Dimension/外型尺寸



可选的出口类型 (Optional outlet type)

Dimensions/单位: millimeters/毫米