

CSD 系列 / CSD SERIES



PRODUCT INFORMATION/产品信息

Pump Design/产品名称: Solenoid Diaphragm Pump/电磁隔膜水泵
 Insulation/绝缘等级: Class H
 Net Weight/产品净重: 0.072Kg
 Outlet Connector/出水接口: Barb port/倒扣

LABORATORY TEST CONDITION/工作条件

- Ta within 80°C, Tf within 45°C/Ta: 80°C以下, Tf:45°C以下
- ED100%:work continuously/ED100%:持续工作
- Ta:Ambient temperature/Ta:环境温度
- Tf:Temperature of fluid water/Tf:流体温度

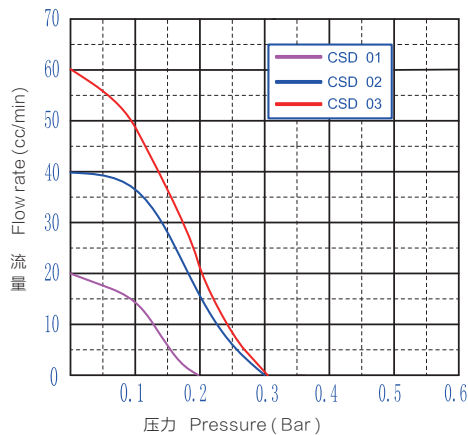
APPLICATIONS/应用领域

Steam Iron、Garment Steamer
 蒸气烫斗、蒸汽挂烫机、蒸汽刷

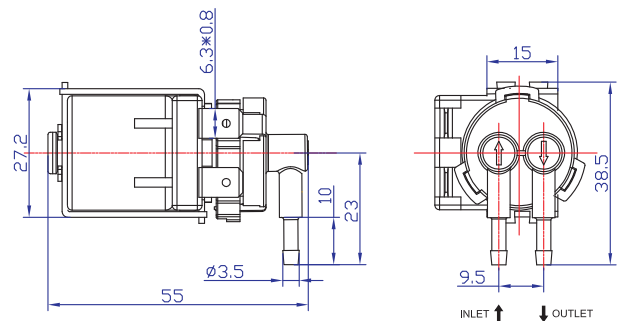
型号/Model	CSD 01	CSD 02	CSD 03
流量/Flowrate(cc/min)	20	40	60
最大压力/Max Pressure(bar)	0.2	0.3	0.3
功率/Power(W)	7	7	7
噪音/Noise(dB)	45	45	50
工作方式/Duty Cycle	Continuously/持续工作		
电压规格/Voltage	220~240V/50Hz, 120V/60Hz, 220V/60Hz		
产品认证/Product Certificate	FDA / TUV / UL&cUL		

Performance Curve/性能曲线

Note: - All the performance are intended with a Tolerance $\pm 15\%$, only for reference/注意: -所有参数公差为 $\pm 15\%$, 仅供参考
 - Water 20°C, Ambient 25°C/- 水温20°C, 室温25°C



Mechanical Drawing & Dimension/外型尺寸



Dimensions/单位: millimeters/毫米